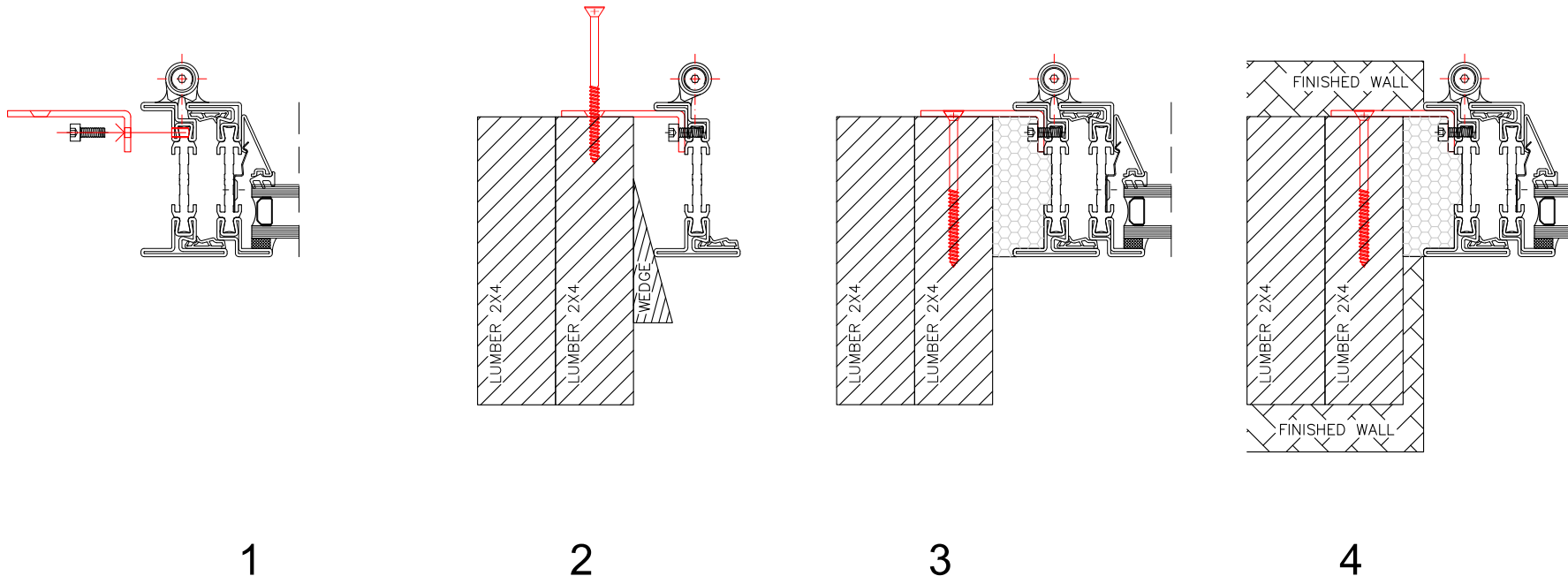


Installation:

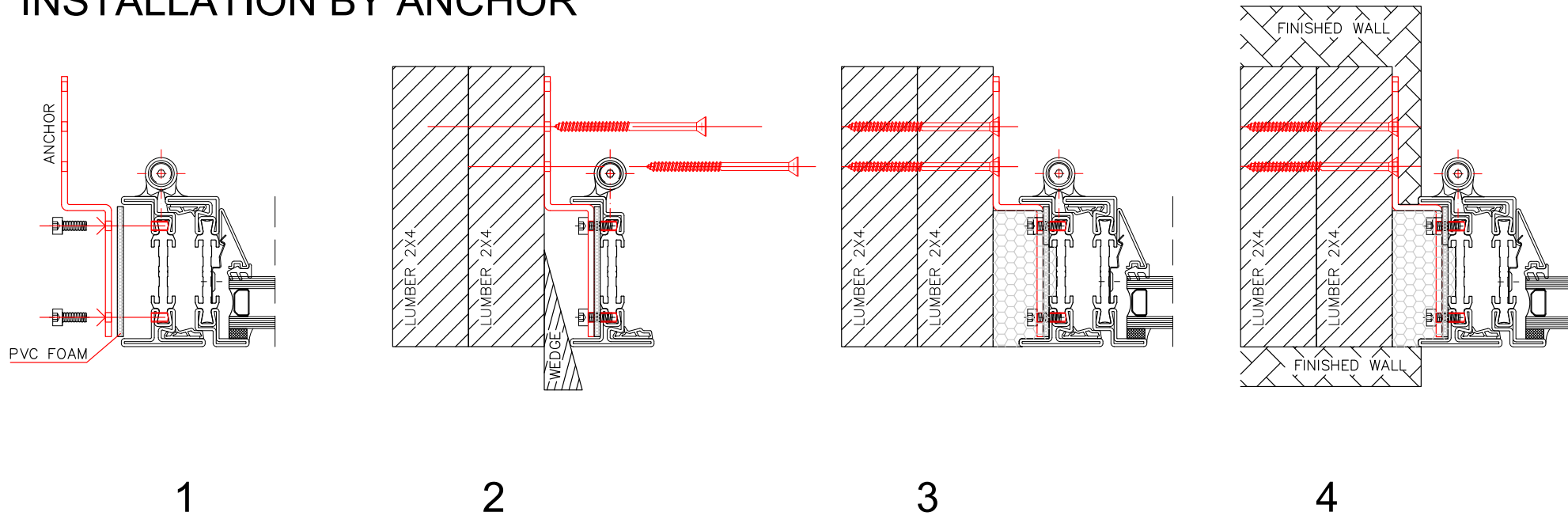
- The door frame can be installed in 3 different ways:
 1. The best installation method is to use steel flange at the sides and the top of the door frame. This installation method is very strong and simple for any installer to follow. After installation, the flange will be covered with finishing materials.

INSTALLATION BY FLANGE



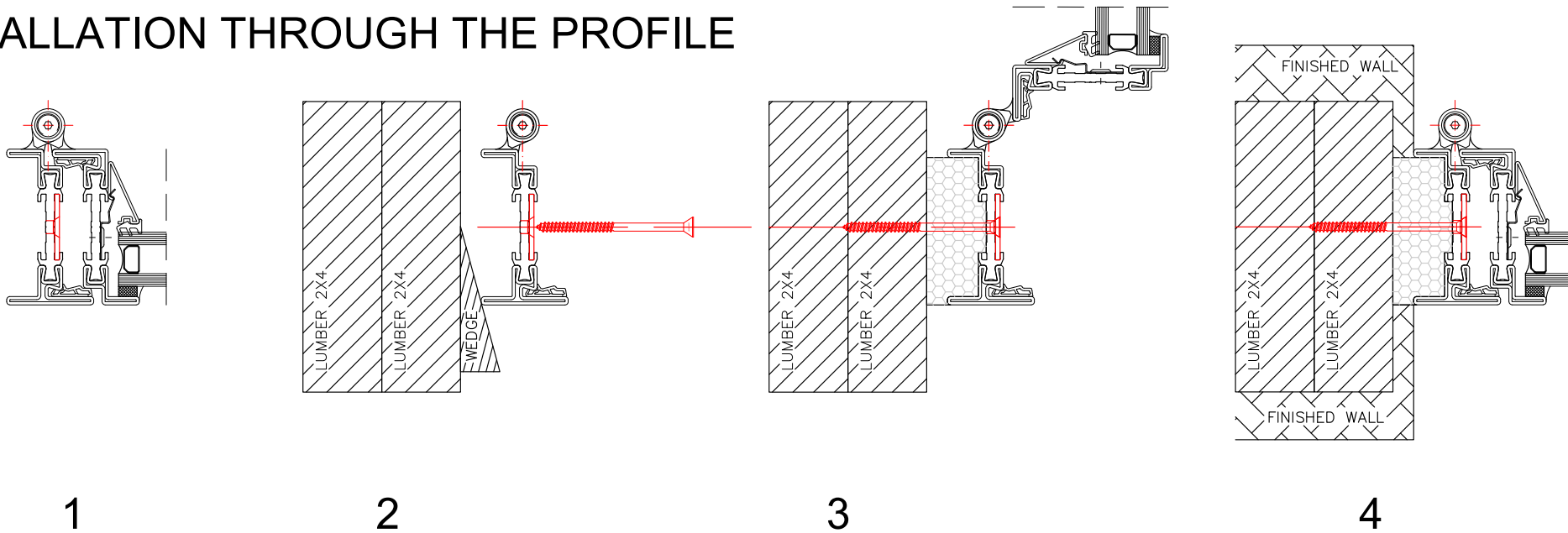
2. Steel anchors provide another way for the frame to be installed to the opening

INSTALLATION BY ANCHOR



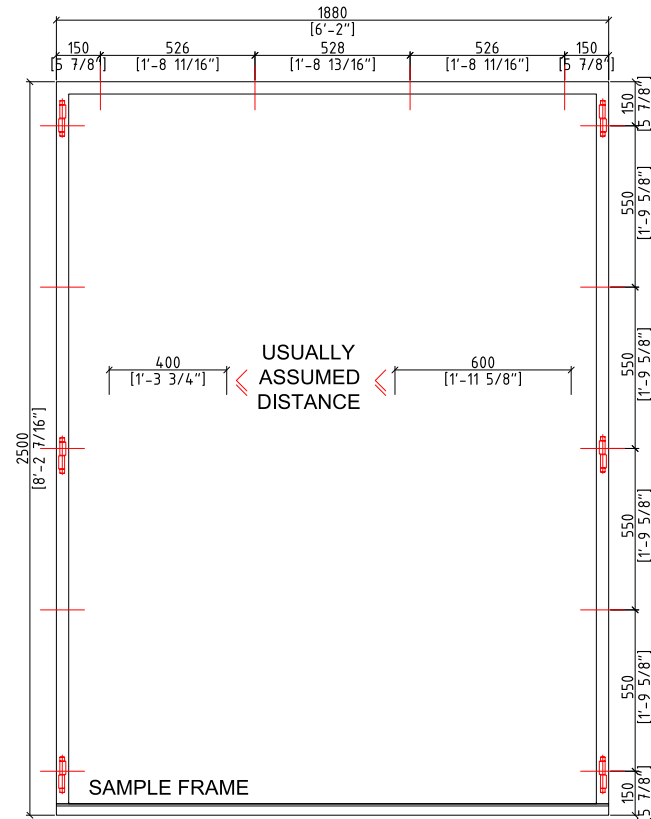
-
3. The third installation method is using screws that are drilled through the frame

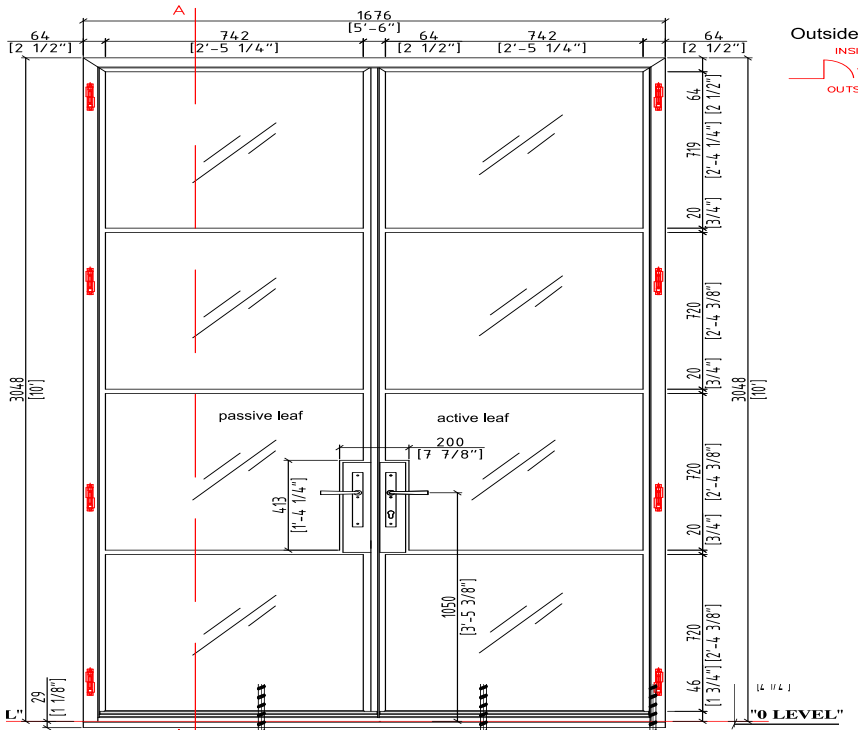
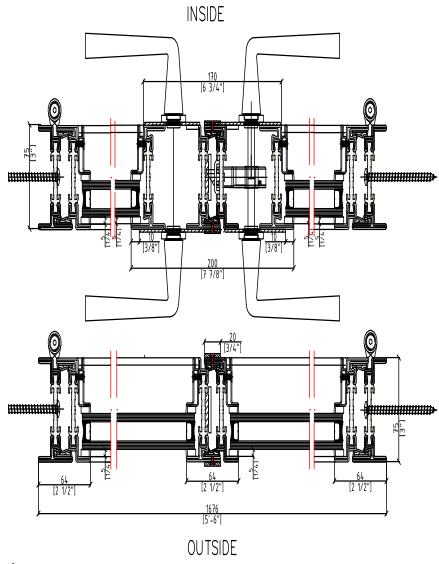
INSTALLATION THROUGH THE PROFILE



- Below are the suggested anchor points for installation
 - Anchors should be placed at each hinge and then equally spaced between each hinge

ANCHORING POINTS

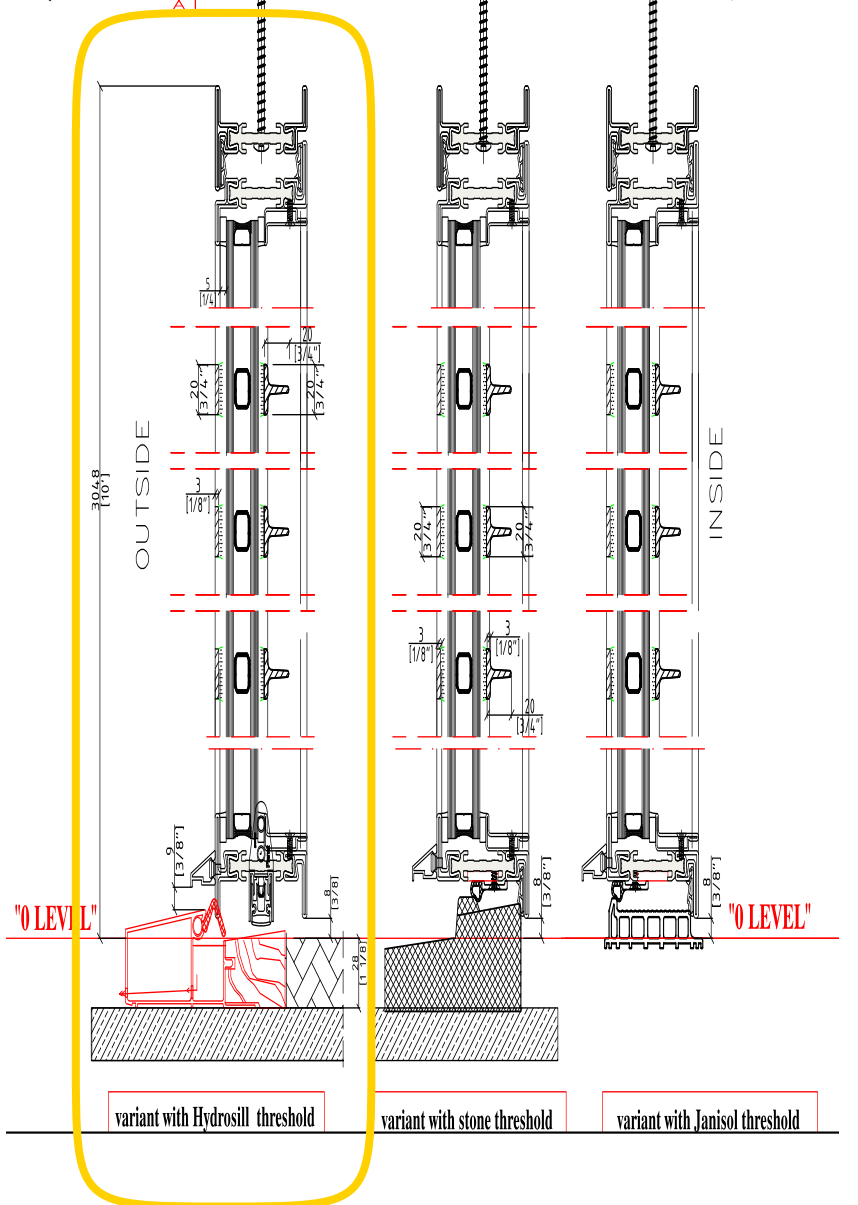




Outside View

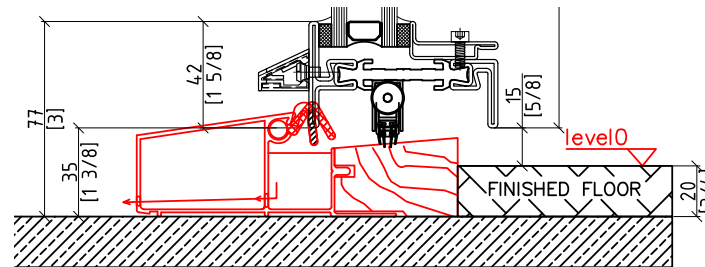
INSIDE

OUTSIDE



How to Get Accurate Unit Size

- To get the accurate unit size, we need to check the Rough Opening and the finished floor level
- Our doors need $\frac{1}{2}$ " space on each side and at the top for correct installation



Sill is $\frac{3}{4}$ " under the „0" Level (top of finished floor)

*Glenview
Doors®*